



Single Handle Tub/Shower Pressure Balancing Valve

- Combo CXC and IPS Inlet and Outlet
- Pressure Balancing Cartridge Ships with Trims
- Stainless Steel Mounting Bracket
- Test Cap allows Pressure Testing 150 PSI Max
- Square Mud Guard with Leveler allows right angle cuts
- Thin Wall Mounting
- Back to Back Installation

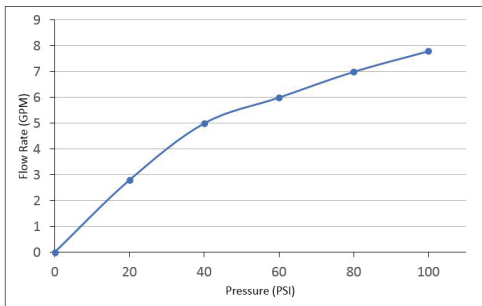
Olympia products are engineered and manufactured to meet the following standards and codes :
ASME A112.18.1/ CSA B125.16
ASSE 1016
IAPMO LISTED



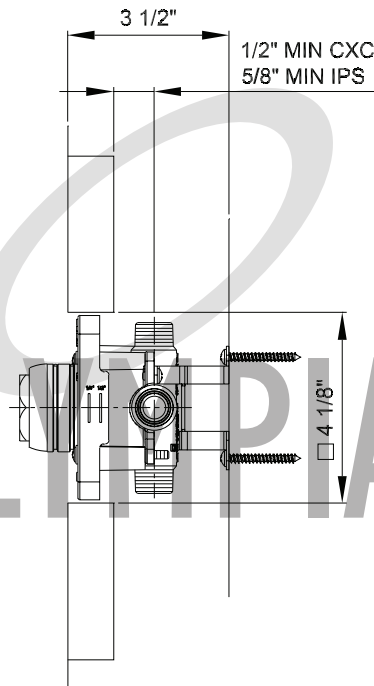
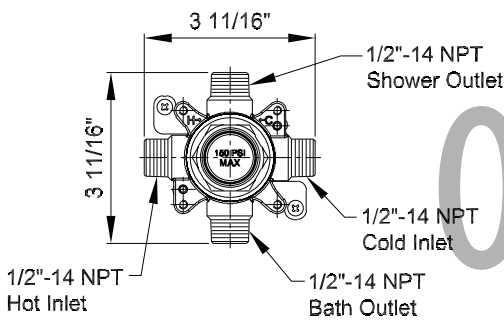
Note: Valve can be tested When Test Cap installed with air (150 PSI) or water (150 PSI).

Note: Cartridge operational at pressures 20 PSI to 100 PSI.

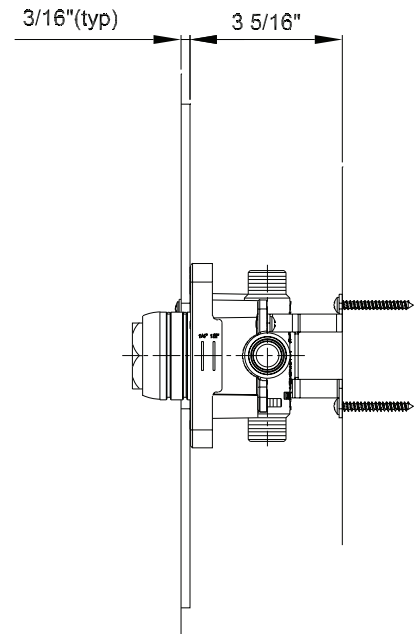
V-2400B Flow Rate (GPM) Vs Pressure (PSI) For Tub Port*



*Note: This information is provided for reference only. Actual Flow Rate may vary depending on installation and inlet pressures.



THICK WALL



THIN WALL